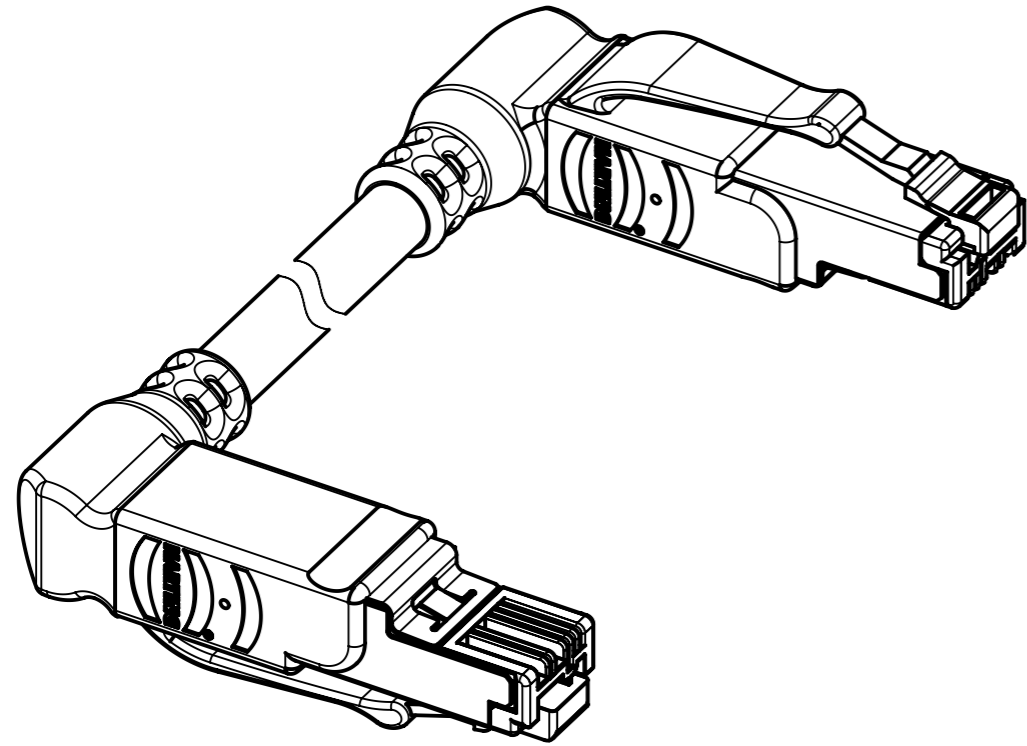
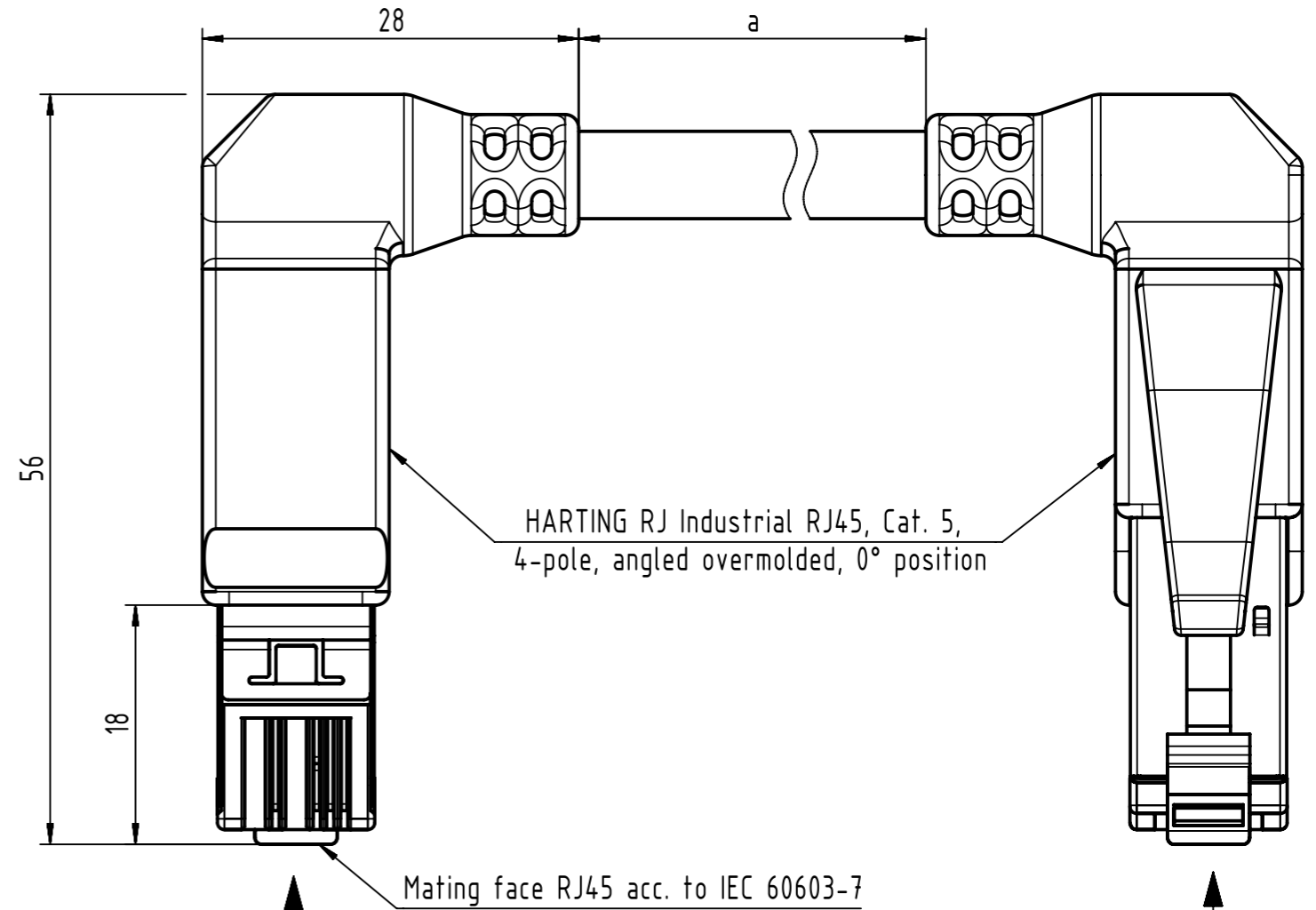


Connector Location A

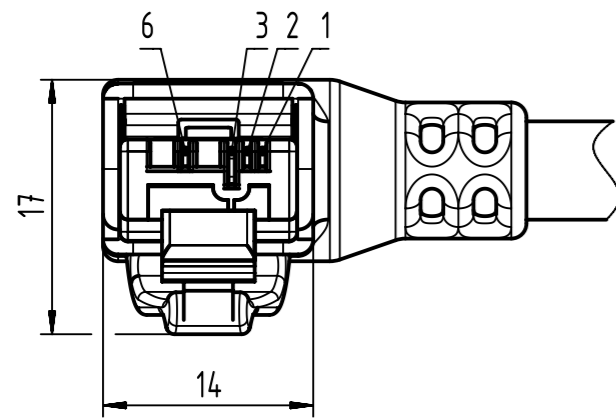
Connector Location B



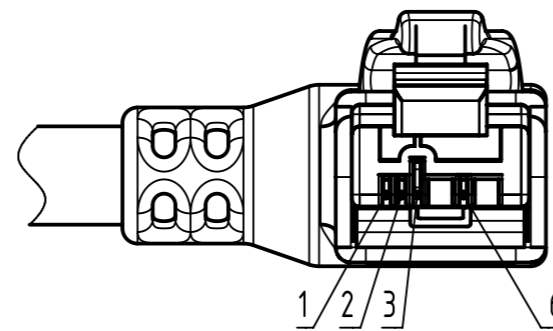
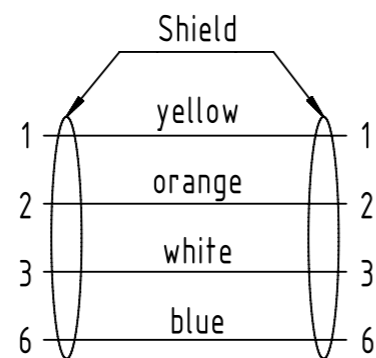
X  
male



Y  
male



Loading Plan



- Protection level: IP20  
- Temperature range: -40°C ... +70°C

	All rights reserved		Created by BANCIUD Banciu		Inspected by COSTEA Costea		Standardisation MUNTEANV Muntean		Date 2019-08-08		State Final Release		
	Department HCS - RO		Title RJ Industrial Cable Assembly		Type TB		Number 09457714XXX		Doc-Key / ECM-Nr. 100155467/UGD/004/E 500000156257		Rev. E		
HARTING Customised Solutions D-32339 Espelkamp												Page 1/2	

